

# AURORALIGHT

PROJECT: \_\_\_\_\_

SKU #: \_\_\_\_\_

TYPE: \_\_\_\_\_

## POWER CANOPY

MMC192405

The Power Canopy, part of a complete family of canopies from Auroralight, machined from solid brass. It is a junction box that conceals an electronic transformer. The Canopy is designed to fit all STANDARD: 3" or 4" round, flush-mounted electrical service boxes.

- Perfect for hardscape and architectural installation
- Ideal for lightweight and heavyweight fixtures



### CONFIGURATOR:

MMC192405	FINISH
<b>( ) = Most common configuration</b>	<input type="checkbox"/>
	<b>(NAT) Natural Brass</b>
	<b>(BLP) Bronze Living Patina</b>
	<b>(BLPX) Extra Dark BLP</b>
	<b>(NI) Nickel PVD</b>

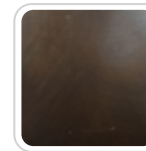
### AVAILABLE FINISHES:



NAT  
Natural Brass



BLP  
Bronze Living Patina



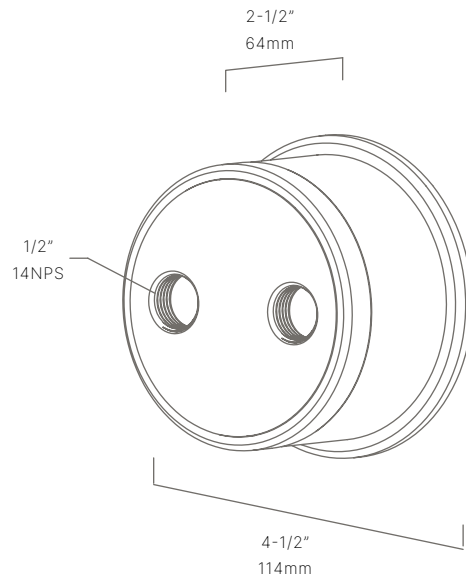
BLPX  
Extra Dark Bronze Living Patina



NI  
Nickel PVD

DIMENSIONS	L4-1/2" x W2-1/2"
VOLTAGE	12V
TRANSFORMER	Included Electronic 60W 120-12V AC
FINISH	Included Natural Brass
MATERIAL	Brass

\*For complete warranty terms, please visit: [www.auroralight.com/warranty/](http://www.auroralight.com/warranty/)



P. 760.931.2910

O. 2742 Loker Ave. W Carlsbad CA 92010

W. [www.auroralight.com](http://www.auroralight.com)

MADE IN USA  
WITH DOMESTIC & IMPORTED MATERIALS

